

Drawing



Tools for Chefs

Hendi B.V.
Steenoven 21
3911 TX Rhenen
The Netherlands

Batch #

000000 until
HK093619

Appliance part#

203125

Description

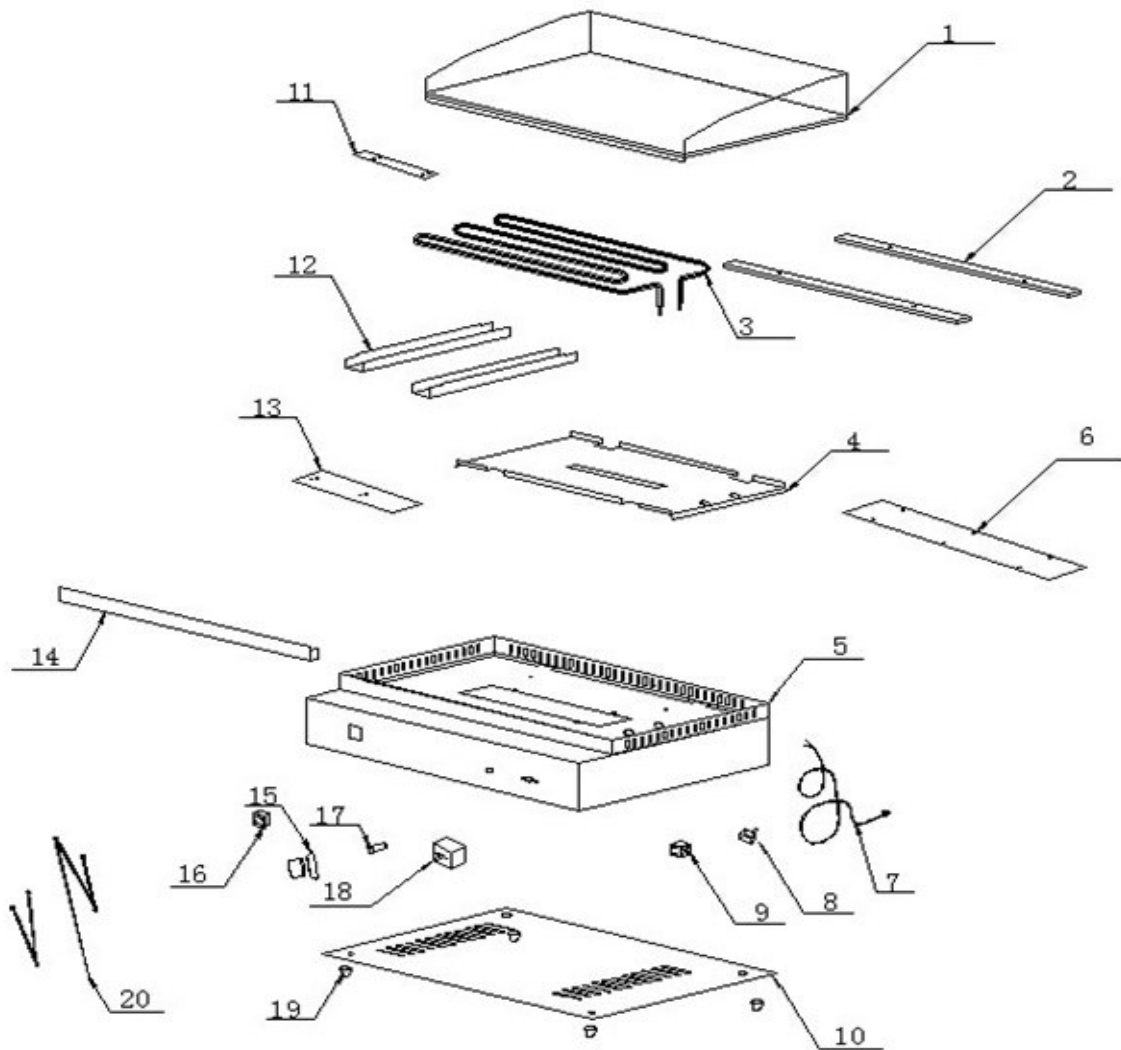
Griddle Blue Line

Date 16-04-2021


Revision #

1.0

Revision First Bill of Materials



Bill of materials (BOM)

 <b style="font-size: 24px; margin-left: 10px;">HENDI <small style="color: green; margin-left: 10px;">Tools for Chefs</small> Hendi B.V. Steenoven 21 3911 TX Rhenen The Netherlands	Batch #	Appliance part#
	000000 until HK093619	203125
	Description	
Griddle Blue Line		

Date	16-04-2021	Revision #	1.0
Revision	First Bill of Materials		

Item	Description	Part#	Quantity	Remark	Picture
1	Griddle plate (flat)	n/a	1		
2	Bracket	n/a	2		
3	Element 2000W	934692	1		
4	Cover element	n/a	1		
5	Housing	n/a	1		
6	Cover	n/a	1		
7	Power cord	930045	1		
8	Hi-Limiter	929858	1		
9	Terminal	929940	1		
10	Bottom cover	n/a	1		
11	Bracket	n/a	1		
12	Bracket	n/a	2		
13	Cover	n/a	1		
14	Drip tray	934708	1		
15	Knob	929865	1	Knob design may differ from original	
16	Switch	205426	1		
17	Indicator light	929889	1	Alternative 930533	
18	Thermostat	902011	1		
19	Feet	929896	4		
20	Wiring set	n/a	1		

n/a -> not available

nss -> not sold separately

Circuit diagram



Hendi B.V.
 Steenoven 21
 3911 TX Rhenen
 The Netherlands

Tools for Chefs

Batch #

000000 until
 HK093619

Appliance part#

203125

Description

Griddle Blue Line

Date 16-04-2021

Revision # 1.0

Revision First Bill of Materials

